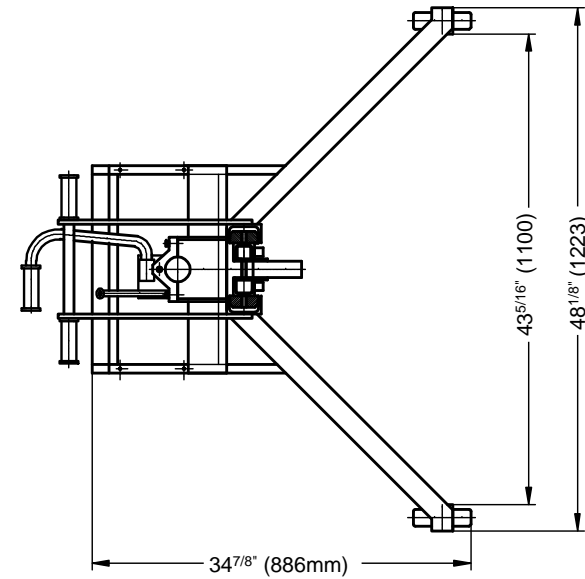
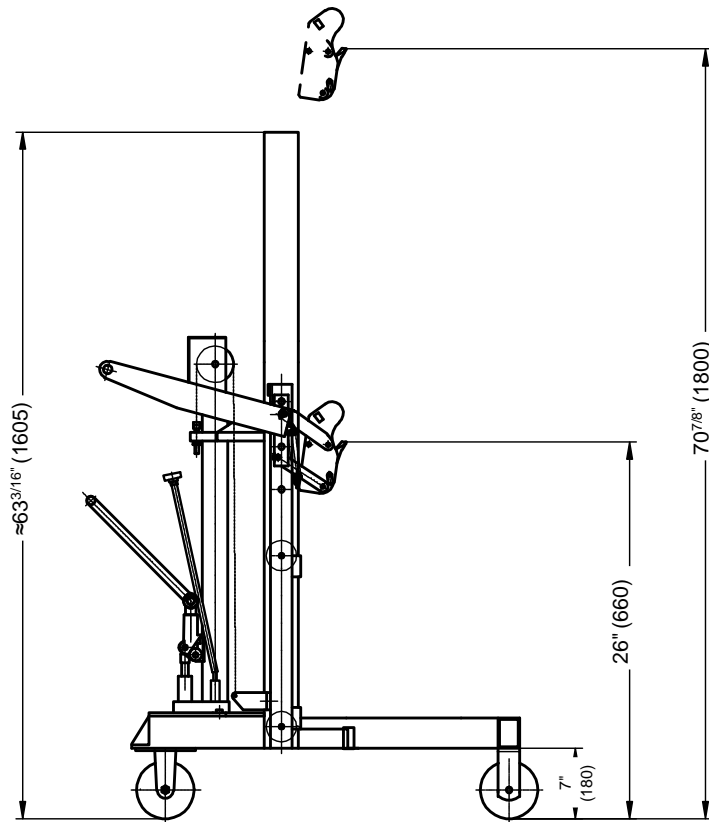


DRUM-LT-SS (STAINLESS STEEL DRUM LIFTER - TRANSPORTER)



Specification:

Capacity: 800 lbs.

Beak Service Range: 26 - 70^{7/8}"

VESTIL MANUFACTURING CORP.

Model: DRUM-LT-SS

Description:

Stainless Steel Drum Lifter-Transporter

Drawn By: T.M.

Date: 02/10/2017